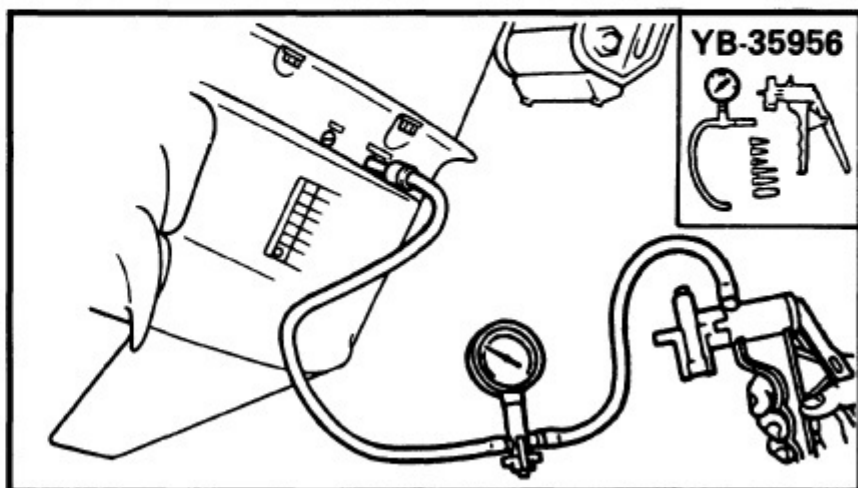
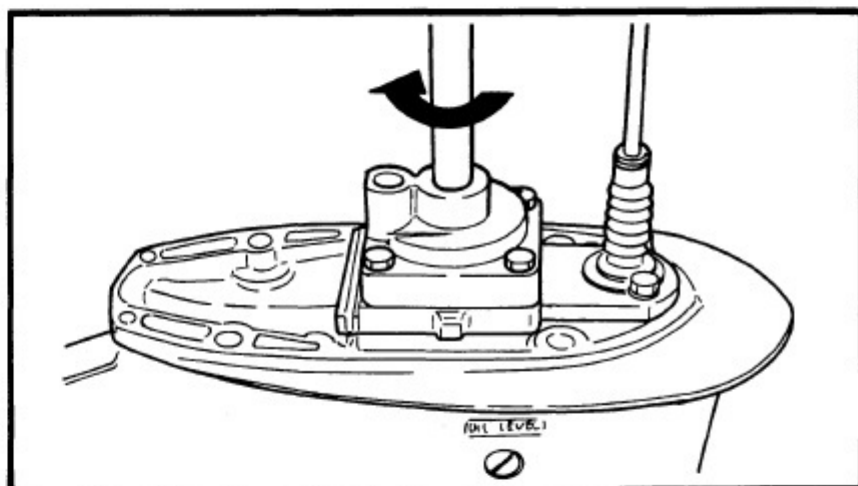
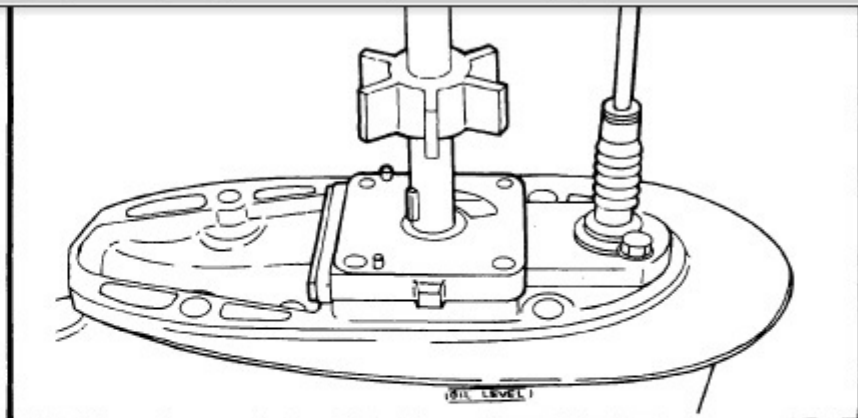


1990 Yamaha 2sd Outboard Service Repair Maintenance Manual. Factory

/ 140 | - + | 125% | [Icons] | [Icons]



On the oil-seal housing
4) Install a new key in the
shaft, and insert a ne

5) Grease the impeller, a
pump housing, turning
then tighten the bolts

165000-0

LOWER UNIT LEAKAGE

- 1) Tighten the gear oil-d
nect the tester to the
- 2) Pump the tester, and
100 kpa (1.0 kgf/cm²
- 3) Check that the pressu
(1.0 kgf/cm² 14.2 psi)

NOTE: _____
If the pressure falls, the lea

[DOWNLOAD HERE](#)

1990 Yamaha 2SD Outboards. The procedures in this manual are organized in a step-by-step format. The information has been compiled to provide the mechanic with an easy to read, handy reference that contains comprehensive explanation of all disassembly, repair, assembly and inspection operations. Each chapter provides exploded diagrams before each disassembly section for ease in identifying the correct disassembly and assembly procedures. The manual is completely bookmarked and searchable. It covers everything about the motor.

[DOWNLOAD HERE](#)

Similar manuals:

[1997 Yamaha BANSHEE YFM350X ATV Service Manual](#)

[1999 -2003 Yamaha XJR MOTORCYCLE Service Manual](#)

[Yamaha WR450FR WR450 WR 450 MOTORCYCLE Workshop Service / Repair Manual](#)

[Yamaha XJ600 Diversion Seca II MOTORCYCLE Workshop Service / Repair Manual](#)

[Yamaha XJ750 XJ750K XJ 750 MOTORCYCLE Workshop Service Repair Manual](#)

[Yamaha XT660R XT660X XT660 MOTORCYCLE Workshop Service / Repair Manual 2004](#)

[Yamaha FJR1300 MOTORCYCLE Workshop Service / Repair Manual 2001](#)

[1988 - 1990 Yamaha FZR400 Service Shop Workshop Repa](#)

[Yamaha 125 RD Motorcycle Owners Manual](#)

[Yamaha Banshee 350 Service Repair Manual - All Years](#)

[Yamaha FZR 600 Service Repair Manual PDF All Years](#)

[Yamaha YZF R1 Service Repair Manual 98-99](#)

[1999 Yamaha XVS1100\(L\) Service Manual Download](#)

[Yamaha YFZ-R1 Service Manual PDF R1 Repair EBook 2000-01](#)

[2004 Yamaha Motorcycle YZF R1 Service Manual Download](#)

[1998 Yamaha Motorcycle YZF R1 Service Manual Download](#)

[2003 Yamaha Motorcycle YZF R6 Service Manual Download](#)

[2004-2005 Yamaha YFZ-450 ATV Workshop Service Repair + Owners Manual](#)

[2000 Yamaha Waverunner GP 1200R Workshop Service / Repair Manual](#)

[Yamaha Raptor YFM 660 Service Manual Atv Quad](#)

[1987-2002 Yamaha Banshee YFZ350 ATV Workshop Service, Repair Manuals And Supplementaries](#)

[1998 - 2004 Yamaha YFM400 ATV Factory Workshop Repair Service Manual](#)

[Yamaha Banshee YFZ350 ATV Workshop Service, Repair Manuals And Supplementaries](#)

[1998 - 2001 Yamaha Beartracker YFM250 ATV Workshop Repair Manual](#)

[1989 - 2001 Yamaha YFS200 Blaster ATV Workshop Service Repair Manual](#)

[1989 - 2007 Yamaha YFA1 YFM125 Breeze Grizzly ATV Workshop Service Repair Manuals + User's Manuals](#)

[Yamaha XVS 1100 Drag Star 1999 Workshop Service Manual](#)

[Johnson Evinrude Outboard Repair Service Manual 1958-2001](#)

[JOHNSON EVINRUDE OUTBOARD REPAIR MANUAL 1973-1991 DOWNLOAD NOW!!!](#)

[JOHNSON EVINRUDE OUTBOARD REPAIR MANUAL 1992-2001 DOWNLOAD NOW!!!](#)

[2000 - 2002 Yamaha Waverunner GP 1200R Workshop Service Repair Manual](#)

[2003 - 2005 Yamaha Waverunner GP1300R Workshop Service Repair Manual](#)

[1997 - 1999 Yamaha Waverunner GP760 - GP1200 Workshop Service Repair Manual](#)

[1998 - 2000 Yamaha Waverunner GP800 Workshop Service Repair Manual](#)

[2001 - 2005 Yamaha Waverunner GP800R Workshop Service Repair Manual](#)

[2002 - 2006 Yamaha Grizzly YFM660 ATV Workshop Service Repair Manual](#)

[2003 - 2004 Yamaha YFM400 4WD Kodiak ATV Workshop Service Repair Manual](#)

[1990 - 1998 Yamaha PZ480 Phazer Snowmobile Workshop Service Repair Manual](#)

[2001 Yamaha YFM660 Raptor ATV Workshop Service Repair Manual + Parts Views Catalogue](#)

[2004 Yamaha YXR660 Rhino ATV Workshop Service Repair Manual](#)

[1999-2003 Yamaha XV16 Road Star Motorcycle Workshop Service Repair Manual](#)

[2002 Yamaha XV17 Road Star Warrior Motorcycle Workshop Service Repair Manual](#)

[1999 - 2007 Yamaha XVZ13 Royal Star + Venture Motrcycle Workshop Service Repair Manual](#)

[2000 - 2004 Yamaha Waverunner SUV SV1200 Workshop Service Repair Manual](#)

[Yamaha Xt500 XT 500 SR 500 Sr500 Workshop Service Repair Manual](#)

[THE BEST 01-06 Yamaha Raptor 660 ATV Service Manual](#)

[THE BEST 03-06 Yamaha Kodiak 450 ATV Service Manual](#)

[THE BEST 98-08 Yamaha Grizzly 600 & 660 ATV Service Manual](#)

[THE BEST 06-08 Yamaha Raptor 700 ATV Service Manual](#)

[THE BEST 06-08 Yamaha Rhino 450 Service Manual](#)

[THE BEST 87-06 Yamaha Banshee 350 ATV Service Manual](#)

[THE BEST 87-99 Yamaha Big Bear 350 4x4 ATV Service Manual](#)

[THE BEST 91-04 Yamaha Warrior 350 ATV Service Manual](#)

[THE BEST 96-99 Yamaha Big Bear 350 2x4 Service Manual](#)

[THE BEST 99-04 Yamaha Bear Tracker 250 ATV Service Manual](#)

[THE BEST 98-05 Yamaha Bruin 250 ATV Service Manual](#)

[THE BEST 2007 Yamaha Grizzly 700 ATV Service Manual](#)

[1996 - 2007 Yamaha Waverunner SJ700 Superjet Workshop Service Repair Manual](#)

[1999 - 2006 Yamaha TTR250 Motorcycle Workshop Service Repair Manual](#)

[1988 - 2005 Yamaha XV250 Virago Motorcycle Workshop Service Repair Manual](#)

[THE BEST 2003-2006 Yamaha RX1 Snowmobile Series Service Manual](#)

[Yamaha TDM 900 2002-2005 Service Repair Manual TDM900](#)

[THE BEST 2000-2004 Yamaha GP1200R Waverunner Personal Watercraft Service Manual](#)

[THE BEST 2003-2008 Yamaha GP1300R Waverunner Service Manual](#)

[Yamaha YZ250 2-strokes Service Repair Manual 2001 2002 2003 2004 2005 2006 Multi](#)

[Yamaha YZF R6 2003-2005 Service Repair Manual & Parts Catalogue](#)

[Yamaha YZF R6 2008 Service Repair Manual & Parts Catalogue](#)

[Yamaha TTR 250 1999-2006 Service Repair Manual TTR250 TT250R](#)

[Yamaha TT 600 2004-2009 Service Repair Manual TT600](#)

[Yamaha YZF R6 1999-2002 Service Repair Manual & Parts Catalogue](#)

[Yamaha YZF-R1 2002-2003 Service Repair Manual & Parts Catalogue R1](#)

[Yamaha YZF-R1 2004-2006 Service Repair Manual R1](#)

[Yamaha AEROX 50 Manuale Officina Riparazione Catalogo Parti](#)

[Yamaha TDM 900 2002-2005 Manuale Servizio Riparazione Officina TDM900](#)

[THE BEST 92-97 Yamaha V-Max 4 750/780cc Series Snowmobile Service Manual](#)

[THE BEST 89-99 Yamaha Ovation 340 Series Snowmobile Service Manual](#)

[Yamaha XJR 1300 1999-2003 Service Repair Manual XJR1300](#)

[Yamaha YZ85 2002-2006 Service Repair Manual & Microfiche](#)

[Yamaha YFM700R RAPTOR 700 Service Manual 2005-2008](#)

[Yamaha Phazer Venture PZ50X PZ50GTX PZ50RTX PZ50MTX PZ50VTX PZ50MPX PZ50W PZ50GTW PZ50FXW PZ50MW PZ50VTW PZ50MPW VK10W Factory Workshop Service Manual](#)

[2007-2008 Yamaha YXR70FX 700EFI Rhino Service Repair Workshop Manual. Cheapest On Tradebit.](#)

[2004, 2005 And 2006 Yamaha Rhino YXR66 660 Service Manual.](#)

[2003 Yamaha Kodiak YFM400FAR 400 ATV Service Repair Workshop Manual. Cheapest On Tradebit](#)

[2001 Yamaha YFM660FP Grizzly ATV Service Manual, Instant Download.](#)

[1971 To 1989 Evinrude Johnson Outboard Service Repair Workshop Manual 1hp - 60hp](#)

[Yamaha YFZ 450 Service Repair Manual 2003-2006](#)

[THE BEST 2007 Genuine Yamaha Grizzly 350 IRS ATV Service Manual](#)

[THE BEST 1988-2008 Genuine Yamaha YFS200 Blaster ATV Service Manual](#)

[THE BEST 1992-1998 Genuine Yamaha Timberwolf 250 2x4 ATV Service Manual](#)

[THE BEST 1994-2000 Genuine Yamaha Timberwolf 250 4x4 ATV Service Manual](#)

[THE BEST 1997-2000 Genuine Yamaha GP760/GP1200 Waverunner Service Manual](#)

[THE BEST 1999-2002 Genuine Yamaha XL1200 LTD Waverunner Service Manual](#)

[THE BEST 1995-2005 Genuine Yamaha Wolverine 350 ATV Service Manual](#)

[Yamaha RAPTOR 660 Service Manual 2001-2005](#)

[Yamaha YFM400 Big Bear 400 Service Manual 2000-2006](#)

[Yamaha Grizzly 550 700 FI Service Manual 2009-2012](#)

[Yamaha FZS 600 Fazer Service Manual 1998-2001](#)

[Yamaha YZF-R6 2006-2007 Manuale Servizio Officina R6 \(Italiano\)](#)

[Yamaha YFM350 Grizzly 350 IRS Service Manual 2007-2011](#)

[Yamaha BR 250 Bravo Snowmobile Service Repair Manual BR250](#)