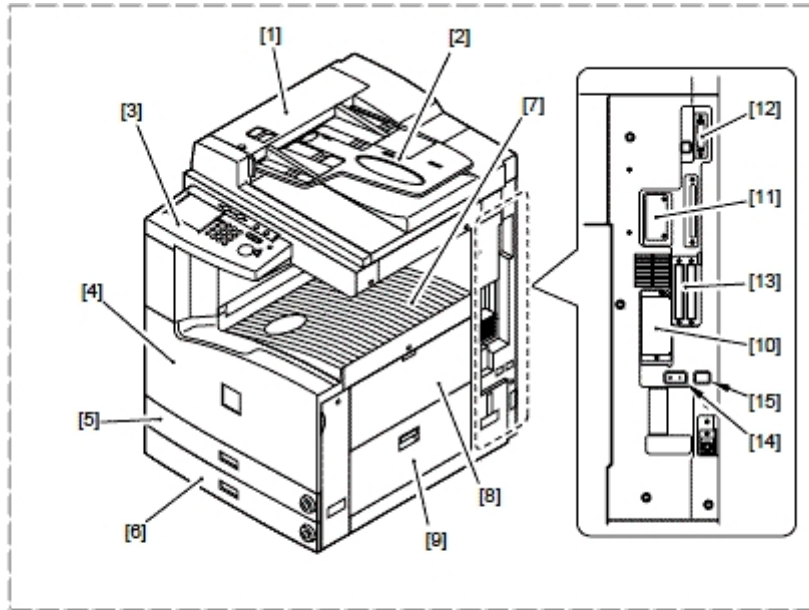


Canon Ir2200 Ir2800 Ir3300 Service Repair Manual Download



Preview: CANON iR2200 /2800 /3300 service manual

[Download Now!](#)

[DOWNLOAD HERE](#)

Factory Service Manual includes troubleshooting, exploded parts diagrams, parts list, dis-assembly, and more. Covers the repair of the following Laser Copiers: - CANON iR2200 - CANON iR2800 - CANON iR3300 This is an original copy, not scanned. The illustration above is a small preview from an actual screenshot. CONTENTS: 1. System Unit - 1 General Description: features, specifications, names of parts, functions, operation, system configuration, routine maintenance by the user - 2 Main Controller: functional construction, outline of electrical circuitry, principles of operation of the image processing system, power supply - 3 Installation: site conditions and installation procedure, relocation of the machine, installation of accessories 2. Reader Unit - 1 Basic Operation: functional construction, outline of electrical circuitry, basic sequence of operations - 2 Original Exposure System: principles of operation of the exposure system, timing of operation, disassembly/assembly and adjustment - 3 Image Processing System: principles of operation of the image processing system, timing of operation, disassembly/assembly and adjustment 3. Printer Unit - 1 Introduction: safety of the laser, image formation, auxiliary processes - 2

Sequence of Operations: basic operations, outline of electrical circuitry, basic sequence of operations - 3
Laser Exposure System: principles of operation of the laser exposure system, timing of operation,
disassembly/assembly and adjustment - 4 Image Formation System: principles of operation of the image
formation system, timing of operation, disassembly/assembly and adjustment - 5 Pickup/Feeding System:
principles of operation of the pickup/feeding system, timing of operation, disassembly/assembly and
adjustment - 6 Fixing System: principles of operation of the fixing system, timing of operation, and
disassembly/assembly and adjustment - 7 Externals and Controls: principles of operation of the
externals/controls, timing of operation, disassembly/assembly and adjustment - 8 Paper Deck-L1:
principles of operation, timing of operation, disassembly/assembly and adjustment - 9 Casstte Feeding
Unit-W1: principles of operation, timing of operation, disassembly/assembly adjustment - 10 Inner 2Way
Tray-A1: principles of operation, timing of operation, disassembly/assembly adjustment - 11 Envelope
Feeder Attachment-B1: principles of operation, timing of operation,disassembly/assembly adjustment 4.
Troubleshooting - 1 Maintenance and Inspection: table of periodically replaced parts, table of
consumables/durables, scheduled servicing chart - 2 Image Adjustment Basic Procedure: basic
procedure for image adjustment - 3 Standards and Adjustments: standards and adjustments - 4
Troubleshooting Image Faults/Malfunctions: troubleshooting image faults/malfunctions - 5 Service Mode:
how to use service mode, list of service modes - 6 Self Diagnosis: codes, causes of errors - 7 Upgrading:
how to upgrade Appendix: general timing chart, general circuit diagrams *****
ABOUT THIS MANUAL PAGES: 768 LANGUAGE: English DOCUMENT ID: FY8-13H8-000
PUBLICATION YEAR: 2001 Instant Download: Yes Table of Contents has links: Yes Has bookmarks for
easy navigation: Yes Can be printed: Yes Windows compatible / Mac compatible Download CANON
iR2200 iR2800 iR3300 Service Manual For more high quality manuals please visit this link:
manuals4u.tradebit.com/files.php/1008-Documents-eBooks-Recipes-Manuals

[DOWNLOAD HERE](#)

Similar manuals:

[Canon Copier NP6016 Service Manuals PC Manuals](#)

[CANON COPIER GP55 / GP55F SERVICE MANUAL](#)